

Glue end-cap accessory Specification

AS-NMT1312GS0-EC
AS-NMT1312GD0-EC
AS-NMT1312GH0-EC

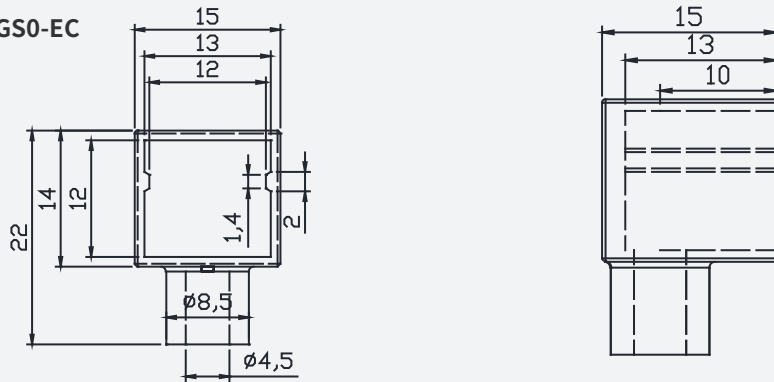


【Features】

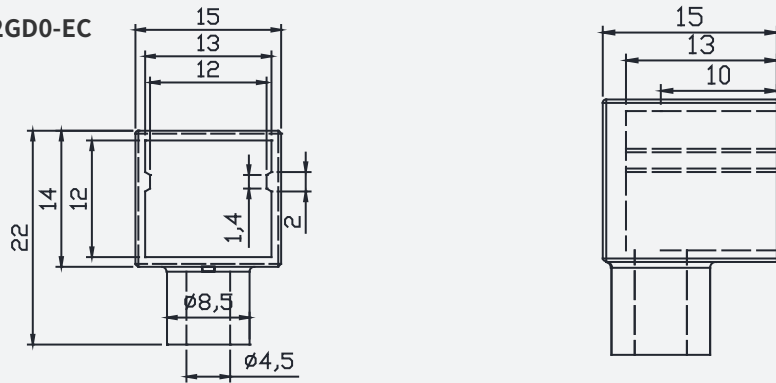
- Material: silicone;
- Operating environment: indoor;
- Molding time: 1h;
- Protection class: IP65;
- Warranty: 3 years.

【Mechanical Parameter】

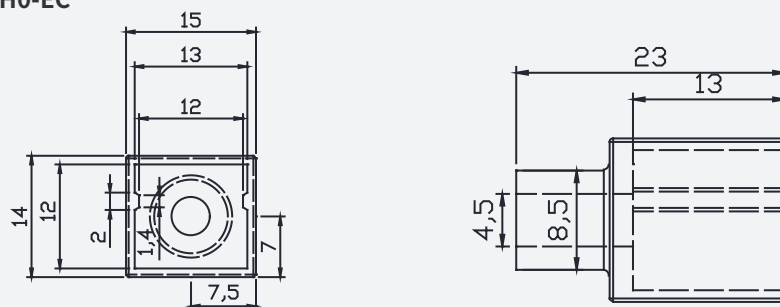
AS-NMT1312GS0-EC







AS-NMT1312GD0-EC



AS-NMT1312GH0-EC



【Specification information】

Describe	Accessories Picture	Order model	Outlet hole diameter (mm)	Quantity/ case (PCS)	Net weight (kg)	Per box net weight (kg)	Gross weight (kg)	Packages (mm)	Range of applications
End cap set, including end cap and plug (outlet from the top direction)		AS-NMT1312GH0-EC	4.5	400	0.0035	1.4	1.7	250*250*150	suit to:AFT1312/AFT1312U/ ANT1312/AHT1312/ AHT1312U/NMT1312/NMT1312U
End cap set, including end cap and plug (outlet from the side direction)		AS-NMT1312GS0-EC	4.5	400	0.0035	1.4	1.7	250*250*150	suit to:AFT1312/AFT1312U/ ANT1312/AHT1312/ AHT1312U/NMT1312/NMT1312U
End cap set, including end cap and plug (outlet from the bottom direction)		AS-NMT1312GD0-EC	4.5	400	0.0035	1.4	1.7	250*250*150	suit to:AFT1312/AFT1312U/ ANT1312/AHT1312/ AHT1312U/NMT1312/NMT1312U
Acid glue		AS-PG-0002	/	50	0.014	0.7	1.2	250*250*150	10ml/pcs

【Precautions】

- Cutting neon strip and plugging should be done in a dry environment.
- Please use professional cutting tools when cutting neon strip.
- Please use the right amount of glue,otherwise it will affect the appearance and lighting effect.
- After finishing the gluing, it needs to be left for 1-2 hours to ensure the glue is solidified.